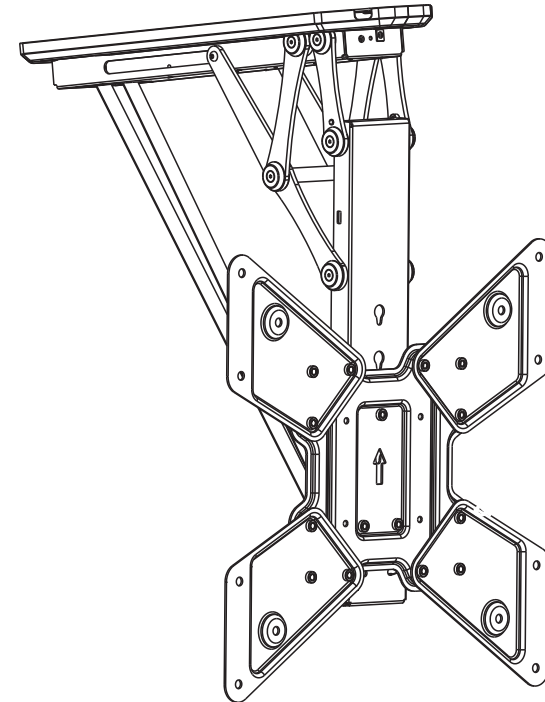


# LITHEAUDIO®

## REMOTE CONTROL MOTORIZED FLIP DOWN CEILING MOUNT

INSTALLATION MANUAL



**CAUTION:** DO NOT EXCEED  
RATED LISTED WEIGHT. SERIOUS  
INJURY OR PROPERTY DAMAGE  
MAY OCCUR!

**FOR CURVE  
& FLAT TV'S**



200x200  
300x300  
400x200  
400x400



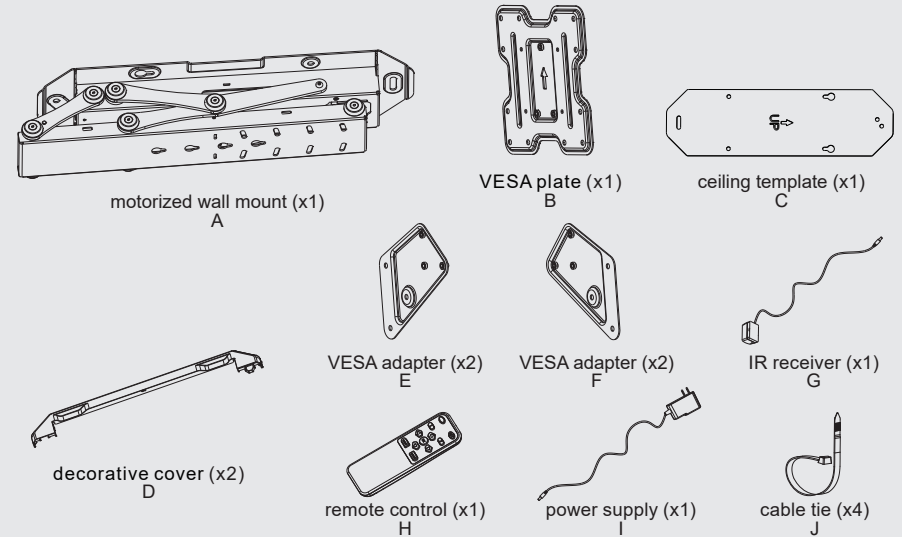
**NOTE:** Read the entire instruction manual before you start installation and assembly.

## ⚠ WARNING

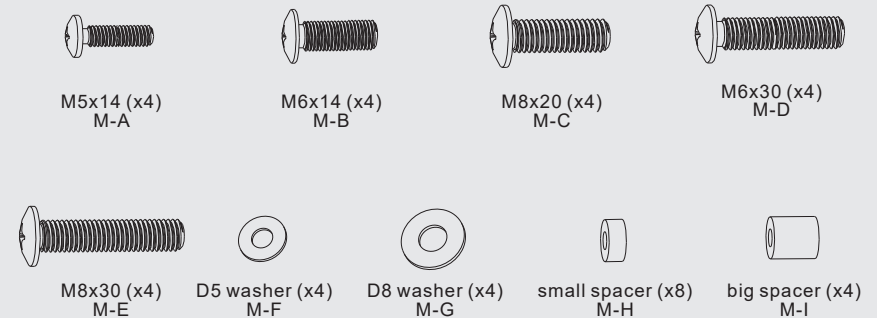
- Do not begin the installation until you have read and understood all the instructions and warnings contained in this installation sheet. If you have any questions regarding any of the instructions or warnings, please contact your local distributor.
- This mounting bracket was designed to be installed and utilised **ONLY** as specified in this manual. Improper installation of this product may cause damage or serious injury.
- This product should only be installed by someone with good mechanical ability who has basic building experience and fully understands this manual.
- Make sure that the supporting surface will safely support the combined weight of the equipment and all attached hardware and components.
- Always use an assistant or mechanical lifting equipment to safely lift and position the equipment.
- Tighten screws firmly, but do not over tighten. Over tightening can cause damage to the items, This greatly reduces their holding power.
- This product is intended for indoor use only. Using this product outdoors could lead to product failure and personal injury.
- Please do not disassemble or change the electronic components of the product without authorization.

## Component Checklist

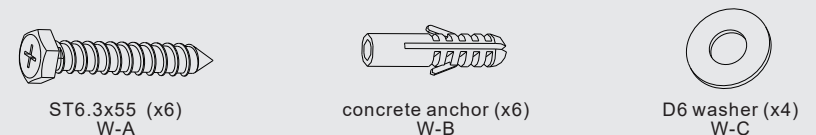
**IMPORTANT:** Ensure that you have received all parts according to the component checklist prior to installation. If any parts are missing or faulty, telephone your local distributor for a replacement.



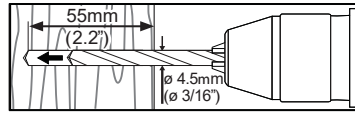
### Package M



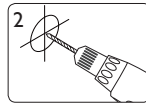
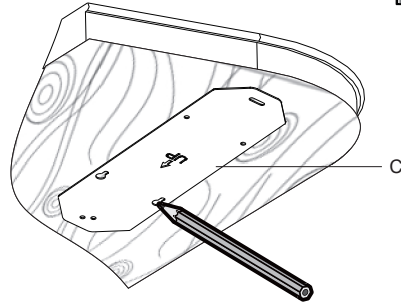
### Package W



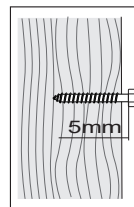
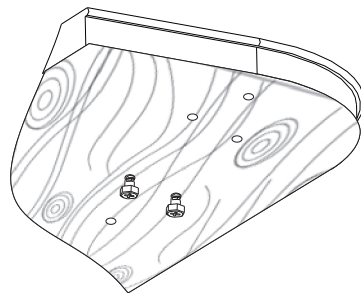
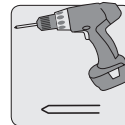
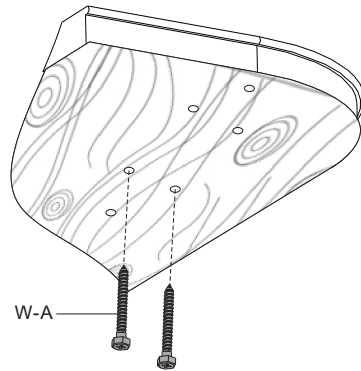
## 1a. For Wooden Ceiling Mounting



1  
Mark the exact location of mounting holes



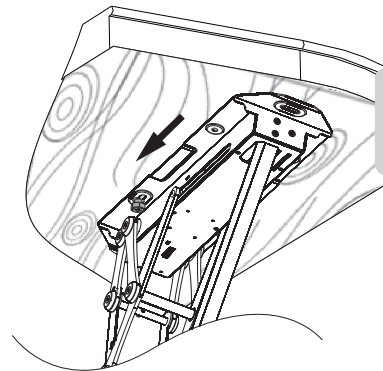
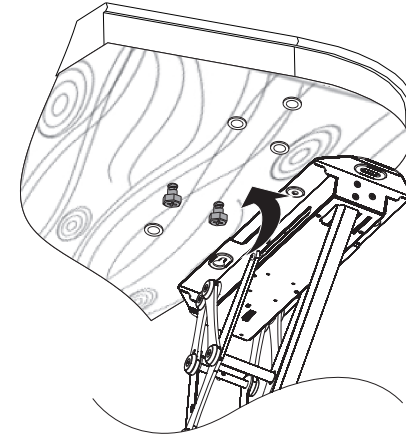
2  
Drill pilot holes



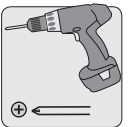
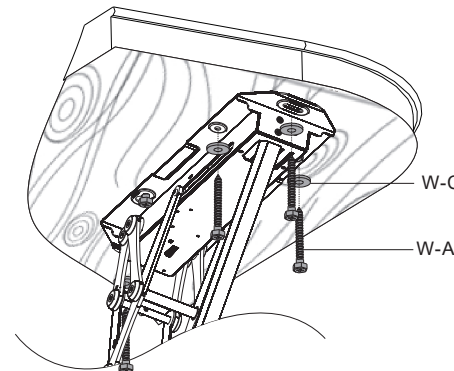
Tighten two screws leaving a 5mm space from the ceiling.

### ⚠ WARNING

- Installers are responsible to provide hardware for other types of mounting situations.
- Installers must verify that the supporting surface will safely support the combined weight of the equipment and all attached hardware and components.

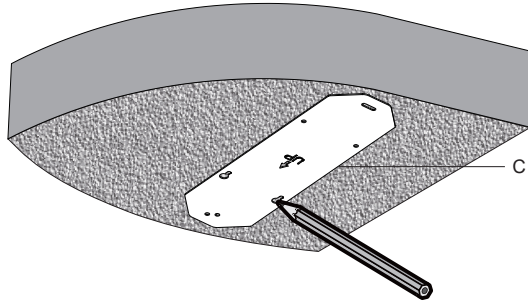
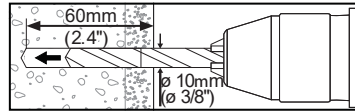


Hang the ceiling mount so that the screws fit into the keyhole openings. Slide slightly the ceiling mount into place and then tighten the screws.

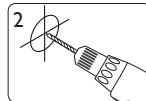
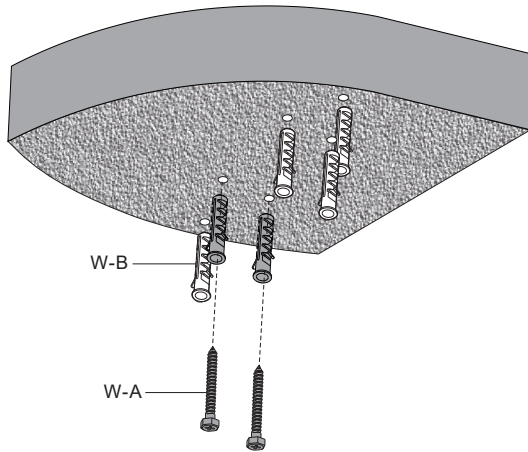


Screw the ceiling mount onto the ceiling

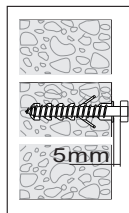
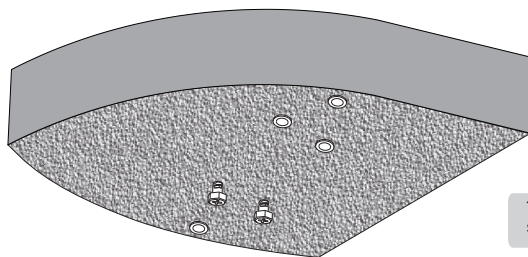
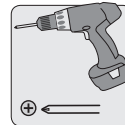
## 1b. For Solid Brick and Concrete Ceiling Mounting



1  
Mark the exact location of mounting holes



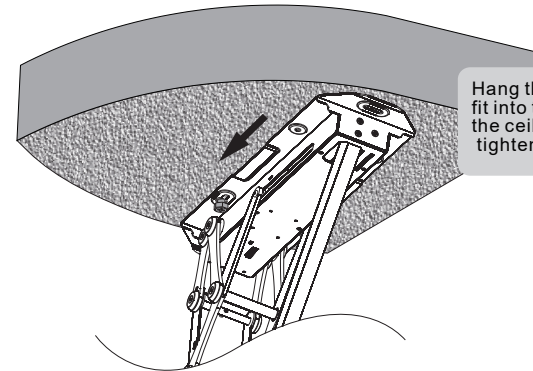
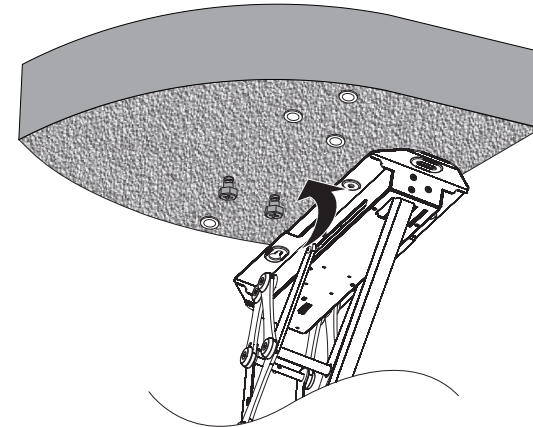
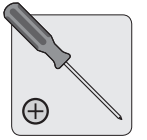
2  
Drill pilot holes



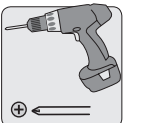
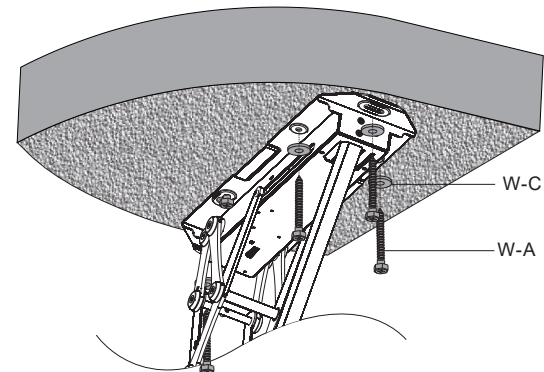
Tighten two screws leaving a 5mm space from the ceiling.

### ⚠ WARNING

Installers must verify that the supporting surface will safely support the combined weight of the equipment and all attached hardware and components.

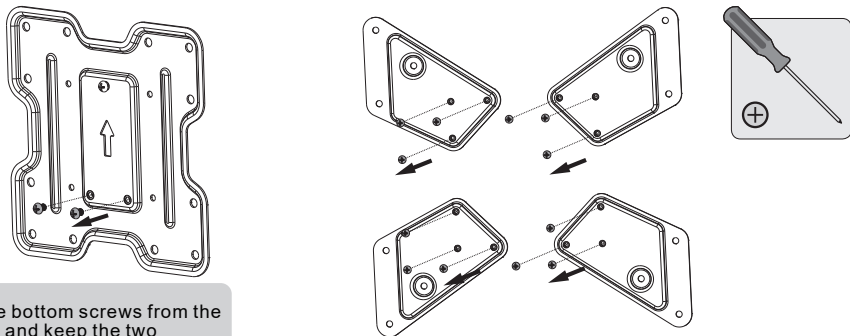


Hang the ceiling mount so that the screws fit into the keyhole openings. Slide slightly the ceiling mount into place and then tighten the screws.

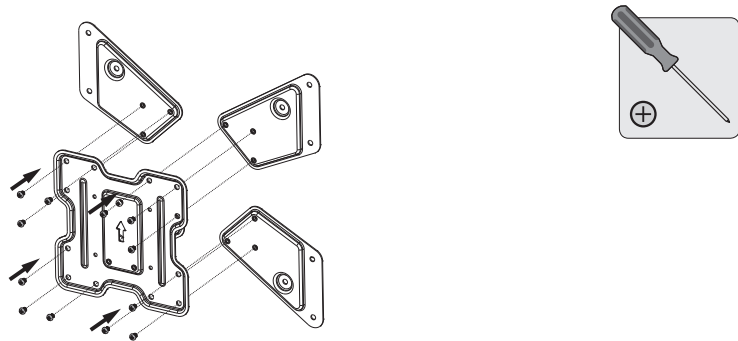


Screw the ceiling mount onto the ceiling

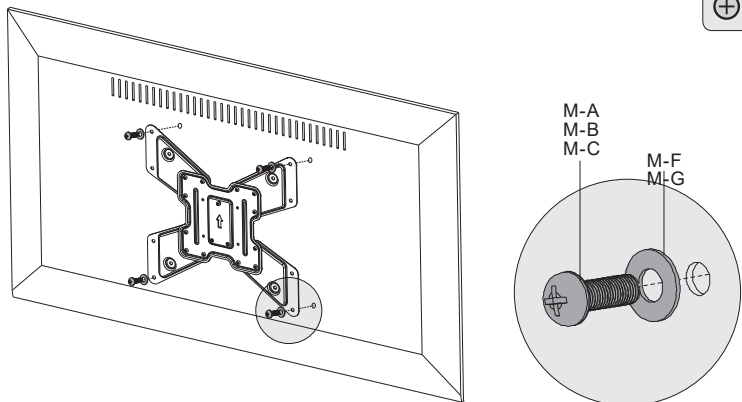
## 2. Installing the VESA Plate



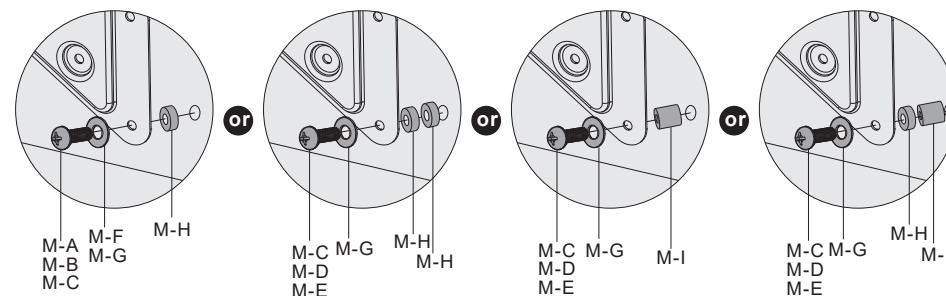
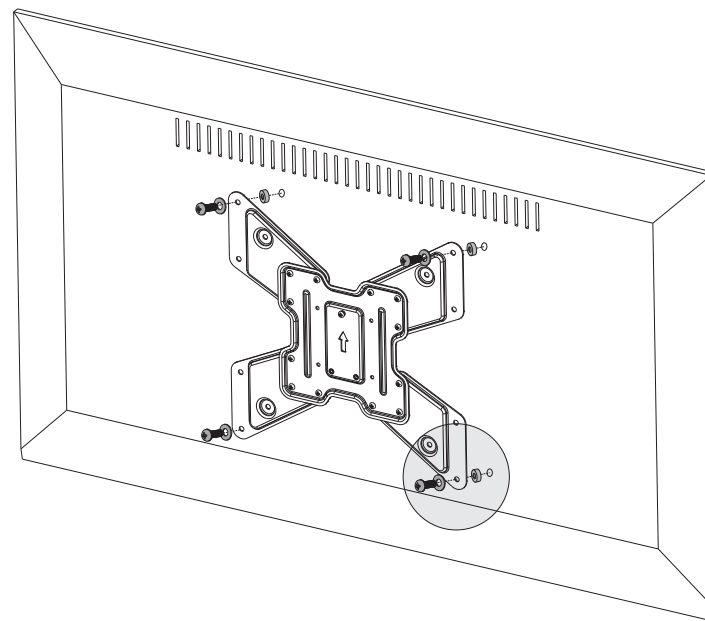
Remove the bottom screws from the VESA plate and keep the two screws for use later.



### 2-1 For Flat Back Screens



### 2-2 For Recessed Back Screens or to Access A/V Inputs

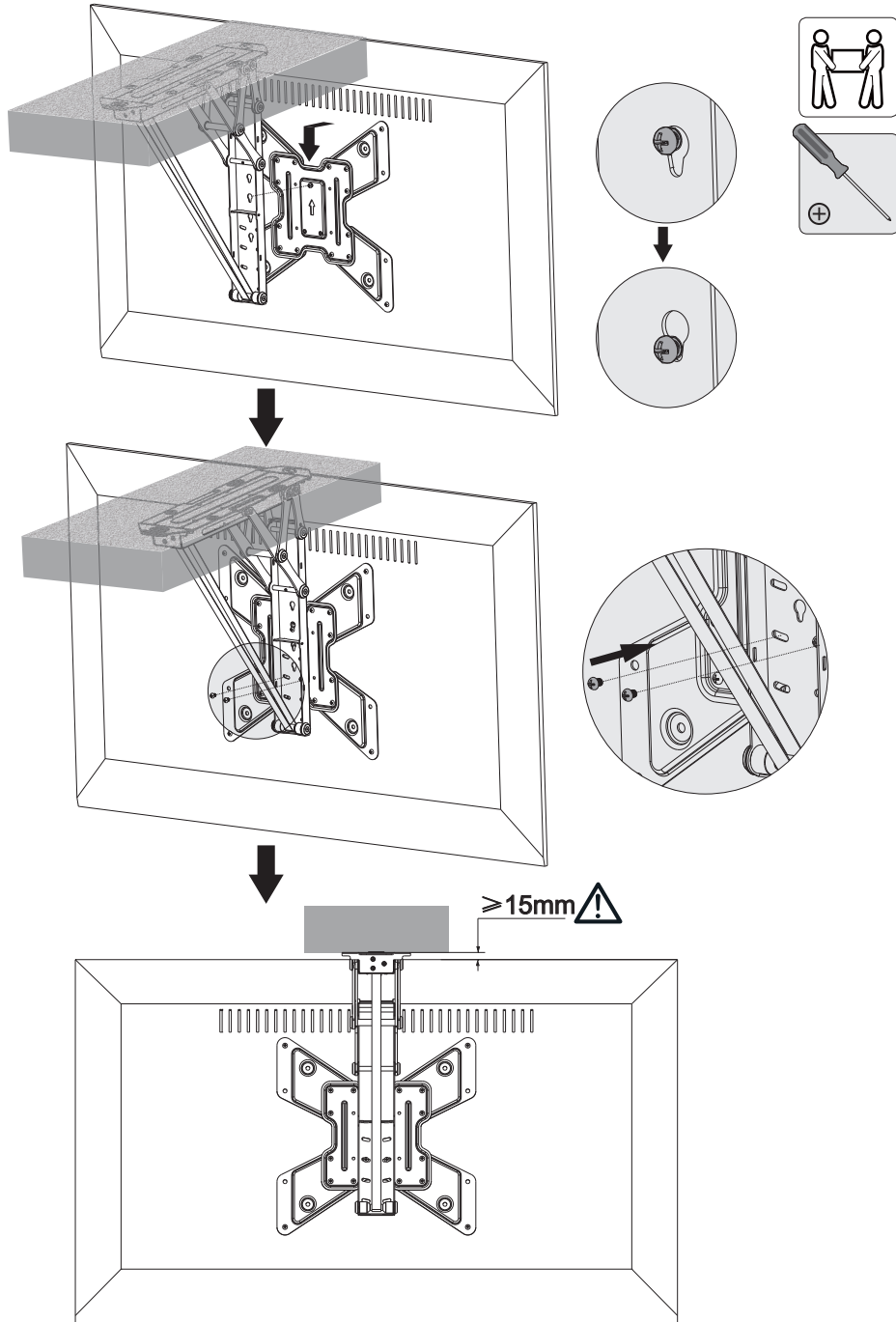


**Note:** Choose the appropriate screws, washers and spacers (if necessary) according to the type of screen.

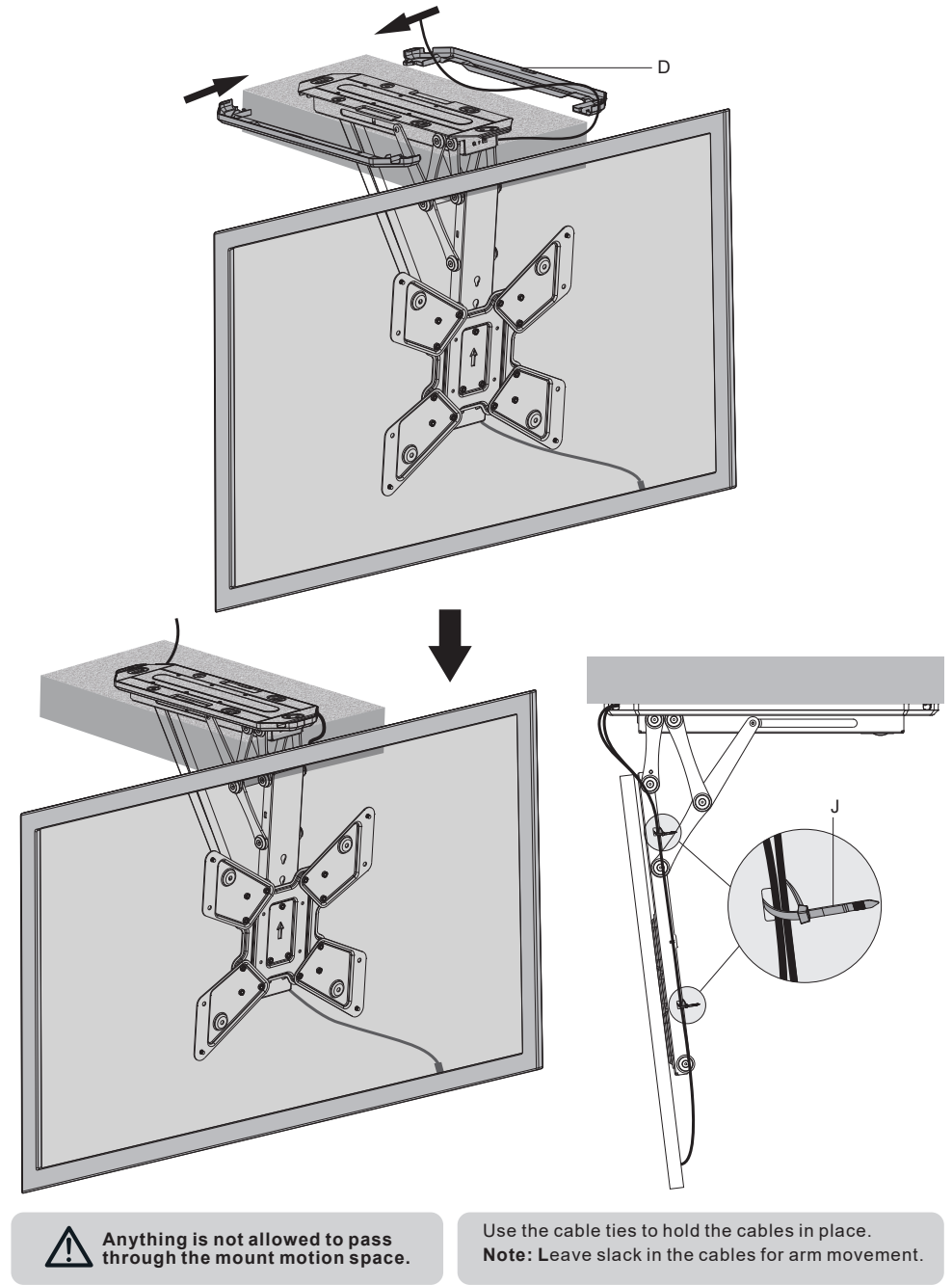
- Screw the VESA plate onto the TV.
- Position the VESA plate as close as possible to the middle of the screen.

**⚠ Tighten all screws but do not over tighten.**

### 3. Hooking the TV onto the Ceiling Mount

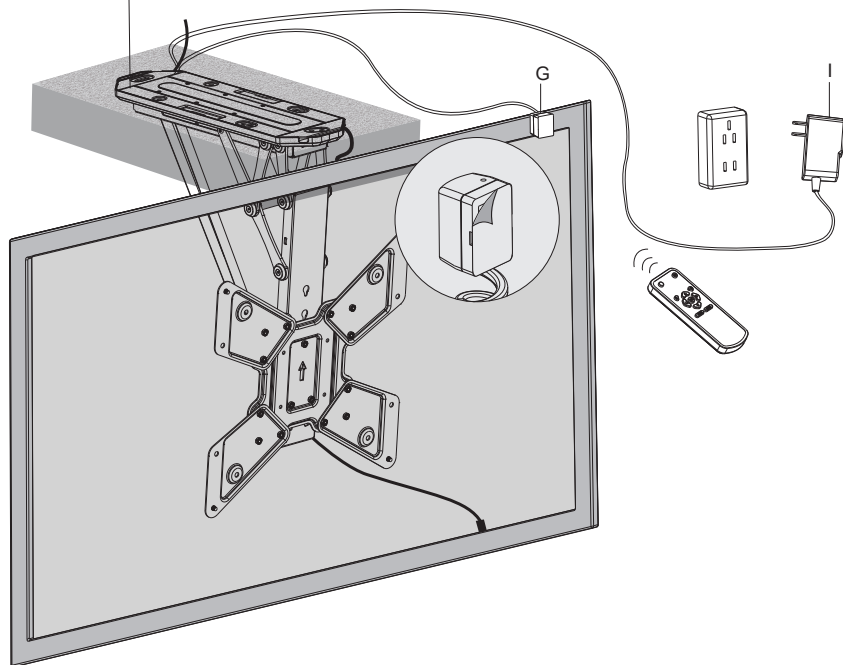


### 4. Installing the Decorative Covers and Running the Cables



## 5. Placing the IR Receiver

**!** Do not open the electrical cover please.



**!** Do not plug into the power outlet until it is ready to be operated.

Peel the backing paper. Place the IR receiver into desired position. Make sure nothing will obstruct the transmission from where the TV will be viewed.

## 6. The Remote Control Operating Instructions

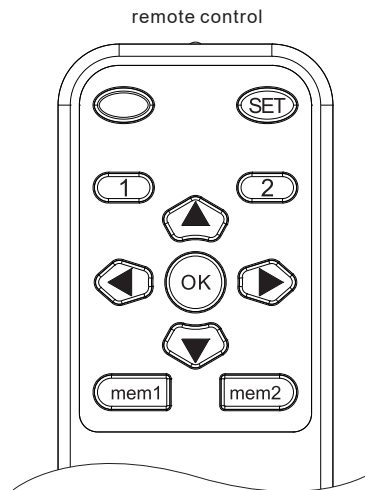
### Remote control operation instructions

**NOTE : No-load running prohibited.**

**STEP 1:**When powered, the buzzer sounds once beep, the TV ceiling mount will be in standby state. The TV ceiling mount is installed on a flat surface by default, and has a 0°~75° continuous adjustable tilt.

(Please reset the tilt angle if you install the TV ceiling mount on a pitched surface. Press and hold **1** for 5 seconds and repeat four times. The system will automatically find the position without human intervention. Once this is done, the system will automatically stop at the maximum position. **Please ignore this step if this mount is not intended for installation on a pitched surface.**)

**STEP 2:** Press and release **OK** to return the TV ceiling mount flat against the ceiling surface and hear one beep from the buzzer, the system will then enter a working condition.



### Buttons function instructions

Follow the Key function instructions below to operate.

**▲** OUT button, downward movement

**▼** IN button, upward movement

**OK** Stop button

**mem1** Memory button1.Press and hold for 5 seconds, the buzzer will sound twice beep beep, The memory is saved as location 1.

**mem2** Memory button2.Press and hold for 5 seconds, the buzzer will sound twice beep beep, The memory is saved as location 2.

**1** + **OK** To recall the **mem1** button(location 1). Press and release **1** button, and then press **OK** button, The TV ceiling mount will automatically swivel to the location1 after the buzzer sounds once.

**2** + **OK** To recall the **mem2** button(location 2). Press and release **2** button, and then press **OK** button, The TV ceiling mount will automatically swivel to the location2 after the buzzer sounds once.





## Manual mode

- In any position (but the minimum position against the ceiling), when manually push up the TV ceiling mount over a distance. The TV ceiling mount will automatically return back to the minimum position against the ceiling.
- In the minimum position, when manually push up the TV ceiling mount over a little distance. The TV ceiling mount will automatically unfold at the maximum position.


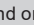
## LEARN MODE operation instructions



The loss of matched remote control would result in TV ceiling mount being unusable. The **LEARN MODE** is used to learn how to use TV remote (ONLY suitable for the TV remote of popular brands.) to control TV ceiling mount.


### Note:



- TV remote can't replace the all functions of matched remote control. Only **LEARNING** the three buttons functions. With ,  and  respectively.
- The user must follow the rules below when using the TV remote to control TV ceiling mount.  
Select the alternate buttons from the TV remote, and the button that can't direct control the TV.
- If you need to erase all the button functions LEARNED, press and hold  for 4 seconds and repeat five times.  
If you don't erase them, the new button functions LEARNED every time will overwrite the last button functions LEARNED.

**LEARN MODE** instructions as shown below:

**STEP1:** Press and hold  for 5 seconds until LED light on the matched remote control stays on, and then press . The buzzer will sound once, the red LED light on the IR receiver will stay on, then the **LEARN MODE** will be entered.



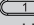
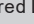
**STEP2:** If **LEARN**  , please press  on the matched remote control until the buzzer sounds twice, the red LED light on the IR receiver will change from being steady to a slow flash.


**STEP3:** Aim the TV remote at the IR receiver, and press the button on the TV remote that you need to set as the function of  button until the buzzer sounds three times. the red LED light on the IR receiver will change from slow flash to a fast flash.

**STEP4:** Press  button on the matched remote control until the buzzer sounds four times. The red LED light on the IR receiver will turn off.  button will be **LEARNED successfully**. If the buzzer only sounds once, then a LEARN failure. (The **TV remote** won't support the LEARNING function).

(Please follow step1 through step4 in turn if the user need to LEARN more buttons.)

## Learn "Power" button on the TV remote:

Press and hold  for 5 seconds until LED light on the matched remote control stays on, and then press . The buzzer will sound once, the red LED light on the IR receiver will stay on, then press and hold  button on the matched remote control until the buzzer sounds twice, then release the  button. The red LED light on the IR receiver will change from being steady to a slow flash.

Aim the TV remote at the IR receiver, and press "Power" button. The buzzer will sound three times. The red LED light on the IR receiver will change from slow flash to a fast flash. Press  button on the matched remote control until the buzzer sounds four times. The red LED light on the IR receiver will turn off. "Power" button will be **LEARNED successfully**. If press "power" button, the TV wall mount will automatically reset.

Note: When there is **no** activity for over 20 seconds in any step .TV remote will automatically exit from the LEARN MODE.

## Maintenance

- Check that the bracket is secure and safe to use at regular intervals(at least every three months).
- Please contact your distributor if you have any questions.